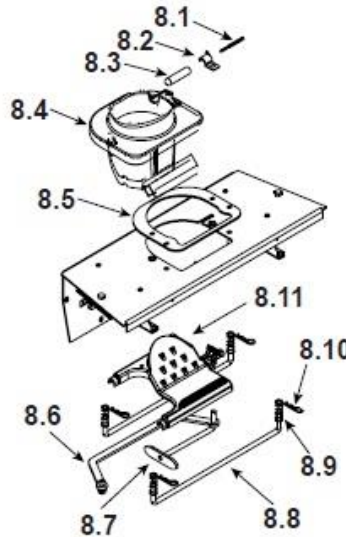


Quadra-Fire Edge 60 Fireplace

| ITEM | DESCRIPTION          | COMMENTS | PART NUMBER |
|------|----------------------|----------|-------------|
| 1    | Panel, Left Side     |          | SRV7051-110 |
| 2    | Twin Ball Catch      |          | SRV7000-532 |
| 3    | Hopper Door Assembly |          | SRV7051-013 |
|      | Handle, Hopper Lid   |          | 200-0110    |
| 4    | Hinge Male           |          | 7034-138    |
| 5    | Gasket, Door Rope    |          | SRV7034-177 |
| 6    | Baffle               |          | SRV7034-263 |
| 7    | Latch, Baffle        |          | 7034-149    |

**#8 Firepot Riser Assembly**



|      |  |           |             |
|------|--|-----------|-------------|
| 8    | <b>Firepot Riser Assembly</b>  |           | SRV7034-002 |
| 8.1  | Thermocouple, K  |           | SRV7034-247 |
| 8.2  | Half Clip - Thermocouple Holder  |           | 7000-321    |
| 8.3  | Thermocouple Protection Tube - Thermocouple Cover  |           | SRV7034-186 |
| 8.4  | Firepot Assembly   |           | SRV7034-072 |
| 8.5  | Gasket, Firepot  |           | 7034-190    |
| 8.6  | Auto-Clean Link Arm  |           | 7034-176    |
| 8.7  | Plow Weldment, Auto-Clean  |           | 7034-024    |
| 8.8  | Rail, Auto-Clean   |           | SRV7034-152 |
| 8.9  | Spring   | Pkg of 4  | 7000-513/4  |
| 8.10 | Hitch Pin Clip 3/32  | Pkg of 10 | 7000-374/10 |
| 8.11 | Firepot Bottom   |           | 7034-153    |
|      | Auto-Clean Bottom Assembly ( Includes Auto Clean Plow Weldment, Link Arm, Firepot Bottom, & Hitch Pin Clip ) |           | 7034-021    |
|      | Firepot Riser Clamp Assembly ( Includes Firepot Riser Clamp and 1 Hex Nut                                    |           | 7034-012    |

Woodman's Parts Plus  
[www.woodmanspartsplus.com](http://www.woodmanspartsplus.com)

| ITEM | DESCRIPTION                                   | COMMENTS  | PART NUMBER |
|------|---|-----------|-------------|
| 9    | Door Assembly                                 |           | SRV7051-019 |
| 9.1  | Hinge, Female                                 |           | 450-2910    |
| 9.2  | Door Frame Assembly                           |           | SRV7051-020 |
| 9.3  | Magnet Round                                  |           | SRV7000-140 |
| 9.4  | Door Latch Assembly                           |           | 7034-039    |
| 9.5  | Glass Assembly - 21 in. W x 14 in. H          |           | 7034-007    |
| 9.6  | Glass Retainer                                |           | 7034-136    |
|      | Gasket, Channel 3 Mm X 32 - Field Cut to Size | 10 Ft.    | 7000-377/10 |
|      | Tape, Door Corner - Field Cut to Size         | 1 Ft      | SRV7027-227 |
| 10   | Ash Pan Door                                  |           | 7034-133    |
| 11   | Ash Pan Assembly                              |           | SRV7034-069 |
|      | Twin Ball Catch                               |           | SRV7000-532 |
| 12   | Gasket, Rope, Ash Door                        |           | SRV7034-178 |
| 13   | Face Plate - Located Behind ARS Door          |           | 7034-124    |
| 14   | Intake Shield                                 |           | 7034-224    |
| 15   | Wire Harness Battery Backup                   |           | 7034-202    |
| 16   | Hopper Lid Magnetic Switch                    |           | 7000-375    |
| 17   | Latch Bracket Assembly                        |           | 7034-049    |
| 18   | Outside Air Gasket                            |           | SRV7051-126 |
| 19   | Vacuum Switch                                 |           | SRV7000-531 |
| 20   | Convection Blower                             |           | SRV7000-260 |
|      | Gasket, Blower, Convection                    |           | 7000-329    |
| 21   | Control Board Assembly                        |           | SRV7000-456 |
|      | Fuse 15A Slow Iec Glass                       | Pkg of 10 | 7000-491/10 |

Woodman's Parts Plus  
[www.woodmanspartsplus.com](http://www.woodmanspartsplus.com)

| ITEM      | DESCRIPTION   | COMMENTS | PART NUMBER |
|-----------|---|----------|-------------|
| <b>22</b> | <b>Feed Assembly</b>                                  |          | SRV7034-004 |
| 22.1      | Feed Spring Assembly (Only)                           |          | SRV7001-046 |
| 22.2      | Bearing, Feed System, Nylon                           |          | SRV7000-598 |
| 22.3      | Gasket, Feed Motor                                    |          | 7034-144    |
| 22.4      | Optical Switch Assembly                               |          | 7034-038    |
| 22.5      | Feed Motor DC   |          | SRV7000-313 |
|           | Collar, Set, 7/8                                      |          | 229-0520    |
|           | Screw, PH , PNL 8-32 x 3/8                            |          | 225-0500/40 |
| <b>23</b> | <b>Auto-Clean Motor/Arm Assembly</b>                  |          | SRV7034-020 |
| 23.1      | Micro Switch No                                       |          | 7000-327    |
| 23.2      | Gear Motor 12V  |          | 7000-502    |
| 23.3      | Grommet, Motor, Auto-Clean                            |          | 7034-188    |
| 23.4      | Bearing   |          | 7000-333    |
| 23.5      | Gasket, Auto-Clean                                    |          | 7034-165    |
| <b>24</b> | Gasket, Blower, Combustion, (Between Housing & Stove) |          | SRV7000-332 |
| <b>25</b> | Combustion Blower Assembly                            |          | 7034-033    |
|           | Gasket, Blower, Combustion, (Between Housing & Motor) |          | SRV7000-714 |
| <b>26</b> | Exhaust Transition Assembly                           |          | SRV7051-007 |
| <b>27</b> | Power Supply Assembly                                 |          | SRV7000-443 |
| <b>28</b> | Wire Harness Power Receptacle                         |          | SRV7051-152 |
| <b>29</b> | Panel, Right Side                                     |          | SRV7051-102 |
| <b>30</b> | Exhaust Flue Assembly                                 |          | SRV7051-008 |
| <b>31</b> | Exhaust Transition Gasket                             |          | SRV7051-116 |
| <b>32</b> | Exhaust Adapter Assembly                              |          | SRV7051-016 |
| <b>33</b> | Panel, Back Assembly                                  |          | SRV7051-010 |
| <b>34</b> | Panel, Top  |          | SRV7051-100 |

Woodman's Parts Plus  
[www.woodmanspartsplus.com](http://www.woodmanspartsplus.com)

| ITEM | DESCRIPTION  | COMMENTS     | PART NUMBER    |
|------|--|--------------|----------------|
|      | Bracket, Control Board   |              | 7034-212       |
|      | Bracket, Door Switch   |              | 7034-215       |
|      | Bracket, Snap Disc   |              | 7034-150       |
|      | Bracket, Vacuum Switch   |              | 7034-211       |
|      | Component Pack Assembly  |              | SRV7051-050    |
|      | Cleanout Tool  |              | 414-1140       |
|      | Thermostat Wire 3 Cond   |              | 7000-409       |
|      | Wall Control   |              | SRV7000-549    |
|      | Fuel Level Sensor  |              | SRV7000-523    |
|      | Gasket, Exhaust  |              | 7034-109       |
|      | Gasket, Exhaust Adapter  |              | SRV7051-105    |
|      | Gasket, Extruded   |              | 7000-320/10    |
|      | Heating Element Assembly 18" (Loop Igniter), 380 Watt                    |              | SRV7000-462    |
|      |  | Pkg of 10    | SRV7000-462/10 |
|      | Heating Element Assembly 18", 120 VAC, 300 Watt, (Wood Pellet Fuel Only) |              | SRV7000-647    |
|      |  | Pkg of 10    | SRV7000-647/10 |
|      | Thermocouple K, Ring Mount   |              | SRV7000-381    |
|      | Snap Disc, Manual Reset  |              | SRV230-1290    |
|      | Vacuum Hose - Field Cut to Size  | 3 Ft. Length | SRV7000-373    |
|      | Wire Harness Aug/Ac/Vac  |              | SRV7034-191    |
|      | Wire Harness Convection Blower   |              | 7034-219       |
|      | Wire Harness Door/Hopper   |              | SRV7034-192    |
|      | Wire Harness Door/Interlock  |              | SRV7051-113    |
|      | Wire Harness Ignitor   |              | SRV7034-273    |
|      | Wire Harness Power Out Ac  |              | 7034-220       |
|      | Wire Harness Power Out Dc  |              | 7034-221       |
|      | Wire Harness Snap Disc   |              | 7034-193       |
|      |  |              |                |
|      |  |              |                |



Woodman's Parts Plus  
[www.woodmanspartsplus.com](http://www.woodmanspartsplus.com)

| ITEM               | DESCRIPTION  | COMMENTS            | PART NUMBER    |
|--------------------|--|---------------------|----------------|
| <b>ACCESSORIES</b> |  |                     |                |
|                    | 12 Volt Power Cord                                   |                     | 12VCORD-AE     |
|                    | Decorative Front                                     | Curve: Black        | DF-E60CUR-BK   |
|                    |  | No longer available | DF-E60CUR-BN   |
|                    |  | No longer available | DF-E60NAT-BK   |
|                    |  | Studio: Black       | DF-E60STU-BK   |
|                    |  | No longer available | DF-E60STU-BN   |
|                    |  | No longer available | DF-E60STU-OB   |
|                    |  | No longer available | DF-E60TUS-BK   |
|                    |  | No longer available | DF-E60TUS-OB   |
|                    | Bumper, Rubber                                       | Pkg of 12           | SRV224-0340/12 |
|                    | Component Pack Assembly, Front                       |                     | SRV7051-058    |
|                    | Elbow Catch  |                     | 7000-393       |
|                    | Log Set , (sold as set only)                         |                     | LOGS-60-AE-B   |
|                    | Outside Air Kit                                      |                     | OAK-3          |
| <b>FASTENERS</b>   |  |                     |                |
|                    | Avk Rivnut Repair Kit - 1/4-20 & 3/8-16 Rivnut Tools |                     | RIVNUT-REPAIR  |
|                    | Bolt, Hex Head, 1/4-20 X 1                           | Pkg of 10           | 25221A/10      |
|                    | Bolt, Shoulder, 5/16 X 1/4-20                        | Pkg of 20           | 223-0170/20    |
|                    | Nut, Ser Flange Small 1/4-20                         | Pkg of 24           | 226-0130/24    |
|                    | Screw, 1/4-20 X 3/8 Phillips Button Head             | Pkg of 24           | 7000-401/24    |
|                    | Screw 1/4-20 X 5/8 Phillips Pan Head                 | Pkg of 24           | 7000-398/24    |
|                    | Screw, Pan Head Philips, 10/32 X 1/4                 | Pkg of 24           | 229-1230/24    |
|                    | Screw, Flat Head Philips 8-32 X 1/2                  | Pkg of 10           | 832-0860       |
|                    | Screw, Pan Head Philips 10-32 X 3/8                  | Pkg of 40           | 21799A/40      |
|                    | Screw, Pan Head Philips 8-32 X 3/4                   | Pkg of 24           | 229-1100/24    |
|                    | Screw, Pan Head Philips 8-32 X 3/8                   | Pkg of 40           | 225-0500/40    |
|                    | Screw, Sheet Metal #8 X 1/2 S-Grip                   | Pkg of 40           | 12460/40       |
|                    | Washer, 1/4 Sae                                      | Pkg of 24           | 28758/24       |
|                    | Wing Thumb Screw 8-32X1/2                            | Pkg of 24           | 7000-223/24    |
|                    | Wire Clip  | Pkg of 10           | 7000-400/10    |